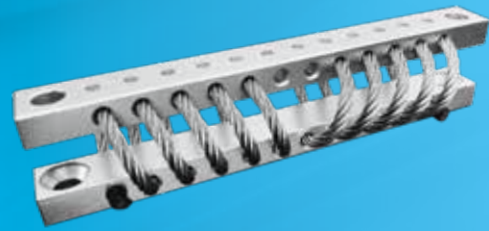
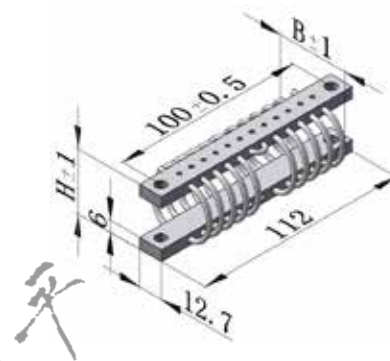


GGTC02 Series



- ◆ All-metal multidirectional anti-vibration/shock mounts.
- ◆ Excellent reliability and long lifespan.
- ◆ High damping.
- ◆ Corrosion resistant.
- ◆ Wide temperature range: $-180^{\circ}\text{C} \sim +300^{\circ}\text{C}$.
- ◆ Great adaptability/versatility.
- ◆ Customized design can be done.

Model Description



Dimensions are in mm.

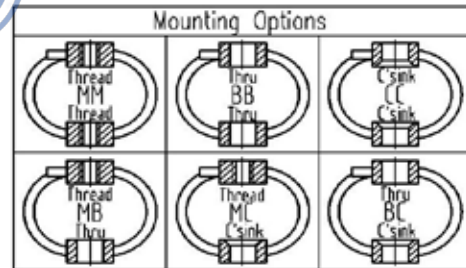
Materials

Cable: Stainless steel.

Retainer bars: Aluminum alloy (Anodized or Alodine).

Other materials on request.

Model	Height (mm)	Width (mm)	Weight (kg)
GGTC2.4-23/28/10L	23	28	0.08
GGTC2.4-25/30/10L	25	30	0.08
GGTC2.4-28/33/10L	28	33	0.08
GGTC2.4-33/38/10L	33	38	0.09
GGTC2.4-36/41/10L	36	41	0.09
GGTC2.4-38/43/10L	38	43	0.09

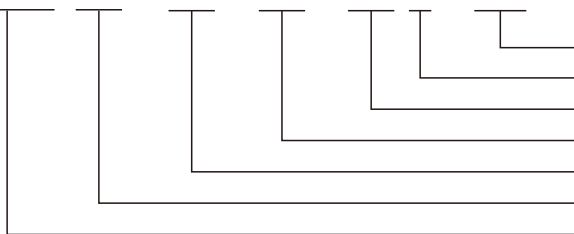


Mounting Holes	Bar 1		
	2xM5	2xφ6	2xφ6 φ9.5x90*
Bar 2	2xM5	MM	
	2xφ6	MB	BB
	2xφ6 φ9.5x90*	MC	BC CC

Note:
Standard Mounting: MM

Order Example

GGTC2.4 - 25 / 30 / 10 L / MB



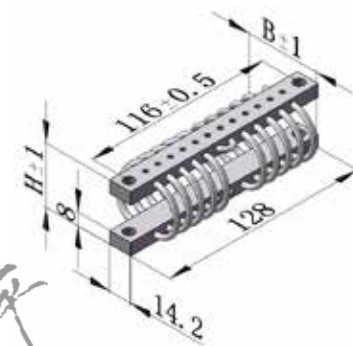
- Mounting Option: MM is default option.
- Retainer Bars Material: Aluminum Alloy (Stainless Steel is available).
- Number of Cable Loops: 10
- Width: 30mm
- Height: 25mm
- Wire Rope Diameter: 2.4mm
- Group: GGTC

GGTC03 Series



- ◆ All-metal multidirectional anti-vibration/shock mounts.
- ◆ Excellent reliability and long lifespan.
- ◆ High damping.
- ◆ Corrosion resistant.
- ◆ Wide temperature range: $-180^{\circ}\text{C} \sim +300^{\circ}\text{C}$.
- ◆ Great adaptability/versatility.
- ◆ Customized design can be done.

Model Description



Dimensions are in mm.

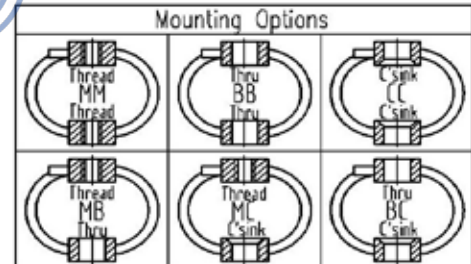
Materials

Cable: Stainless steel.

Retainer bars: Aluminum alloy (Anodized or Alodine).

Other materials on request.

Model	Height (mm)	Width (mm)	Weight (kg)
GGTC3.2-28/36/10L	28	36	0.09
GGTC3.2-30/38/10L	30	38	0.09
GGTC3.2-33/41/10L	33	41	0.10
GGTC3.2-36/43/10L	36	43	0.12
GGTC3.2-38/46/10L	38	46	0.13
GGTC3.2-41/48/10L	41	48	0.13
GGTC3.2-50/54/10L	50	54	0.16
GGTC3.2-60/68/10L	60	68	0.18

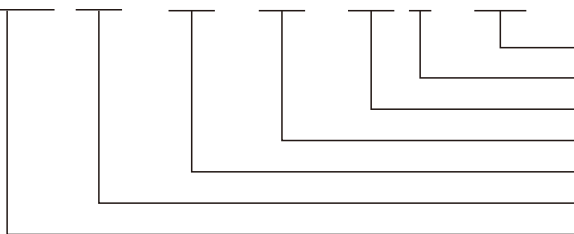


Mounting Holes	Bar 1		
	2xM6	2xφ7	2xφ7 φ11x90°
Bar 2	2xM6	MM	
	2xφ7	MB	BB
2xφ7 φ11x90°	MC	BC	CC

Note:
Standard Mounting: MM

Order Example

GGTC3.2 - 41 / 48 / 10 L / MB



Mounting Option: MM is default option.

Retainer Bars Material: Aluminum Alloy (Stainless Steel is available).

Number of Cable Loops: 10

Width: 48mm

Height: 41mm

Wire Rope Diameter: 3.2mm

Group: GGTC