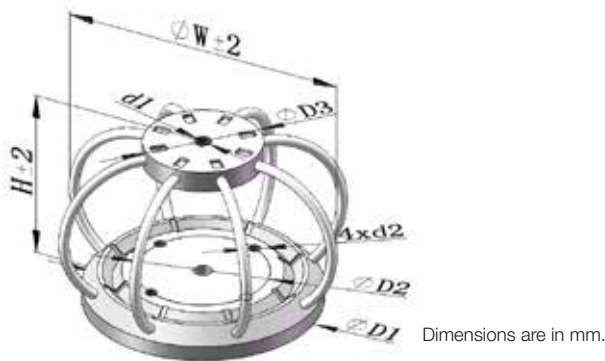


# GGQ01 Series

- ◆ All-metal multidirectional anti-vibration/shock mounts.
- ◆ Excellent reliability and long lifespan.
- ◆ High damping.
- ◆ Corrosion resistant.
- ◆ Wide temperature range:  $-180^{\circ}\text{C} \sim +300^{\circ}\text{C}$ .
- ◆ Great adaptability/versatility.
- ◆ Customized design can be done.



## Model Description



## Order Example

GGQ 1.0-37 L

Retainer Bars Material: Aluminum Alloy  
(Stainless Steel is available).  
Isolator Height: 37mm  
Isolator (Z direction) Energy: 1.0J  
Group: GGQ

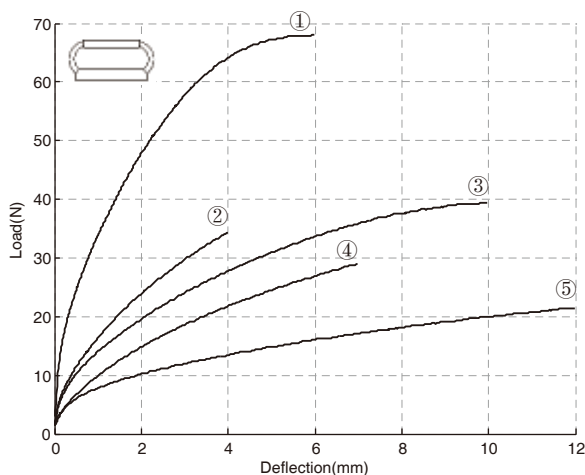
## Materials

Cable: Stainless Steel  
Retainer Bars: Aluminum Alloy  
Other materials on request.  
If  $\Phi D2=0$ , there is single hole at the bottom

Model	$\Phi D1$ (mm)	$\Phi D2$ (mm)	$\Phi D3$ (mm)	$\Phi W$ (mm)	H (mm)	d1	d2	Weight (kg)
GGQ1.0-37L	70	36	52	76	37	M6	M4	0.3
GGQ0.23-23L	26	-	16	33	23	M4		0.025
GGQ0.9-47L	70	36	38	77	47	M6		0.25
GGQ0.20-26L	26	-	14	36	26	M4		0.025
GGQ0.55-56L	70	36	26	80	56	M6		0.22

## Performances\*

### Compression



No.	Model	Rated Load at 10Hz (kg)	Static Stiffness (N/mm)	Max.Dyn Deflection (mm)	Max. Shock (kN)
		$M_z$	$K_z$	$\Delta S_z$	$P_z$
1	GGQ1.0-37L	4.9	15	25	0.1
2	GGQ0.23-23L	2.5	8	14	0.06
3	GGQ0.9-47L	1.9	6	35	0.05
4	GGQ0.20-26L	1.4	5	17	0.03
5	GGQ0.55-56L	1.0	2	44	0.03

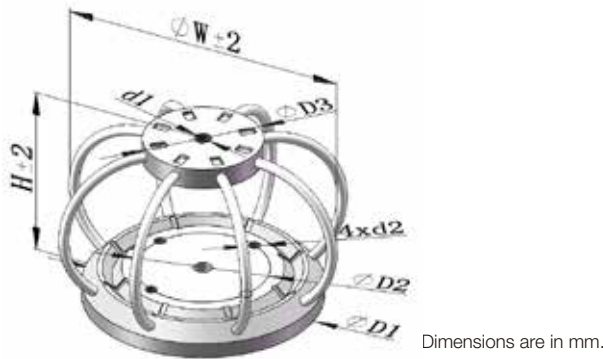
\* Performance characteristics given here are for reference only, please contact us for technical support.

# GGQ02 Series

- ◆ All-metal multidirectional anti-vibration/shock mounts.
- ◆ Excellent reliability and long lifespan.
- ◆ High damping.
- ◆ Corrosion resistant.
- ◆ Wide temperature range: -180°C ~ +300°C.
- ◆ Great adaptability/versatility.
- ◆ Customized design can be done.



## Model Description



## Order Example

### GGQ 1.0-57 L

Retainer Bars Material: Aluminum Alloy  
(Stainless Steel is available).  
Isolator Height: 57mm  
Isolator (Z direction) Energy: 1.0J  
Group: GGQ

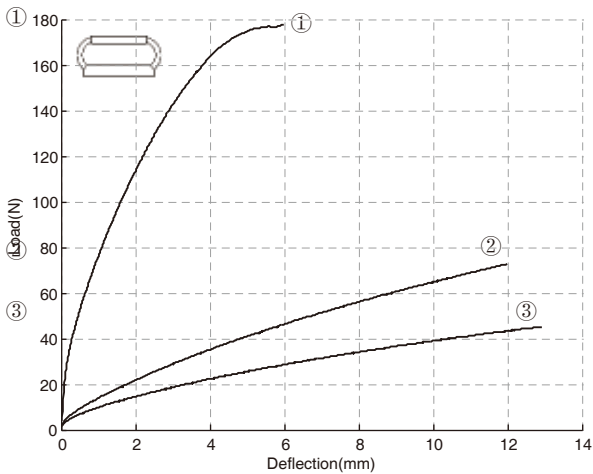
## Materials

Cable: Stainless Steel  
Retainer Bars: Aluminum Alloy  
Other materials on request.

Model	ΦD1 (mm)	ΦD2 (mm)	ΦD3 (mm)	ΦW (mm)	H (mm)	d1	d2	Weight (kg)
GGQ2.3-43L	76	42	52	85	43	M6	M4	0.33
GGQ1.0-57L	76	42	38	91	57			0.29
GGQ1.7-71L	76	42	26	96	71			0.27

## Performances\*

### Compression



No.	Model	Rated Load at 10Hz (kg)	Static Stiffness (N/mm)	Max.Dyn Deflection (mm)	Max. Shock (kN)
		$M_z$	$K_z$	$\Delta S_z$	$P_z$
1	GGQ2.3-43L	11.7	36	31	0.16
2	GGQ1.0-57L	2.4	8	45	0.09
3	GGQ1.7-71L	1.2	4	59	0.06

\* Performance characteristics given here are for reference only, please contact us for technical support.