

## 2 船舶隔舱密封装置 Marine bulk-head Seals

### CWGM 系列抗冲击型 船舶轴系隔舱端面密封装置 CWGM Series Anti-Shock Marine Bulk-head Seal



#### 产品特点 Product Features

- 全剖分式结构，方便安装与维护。
- 轴系大冲击产生的轴向、径向位移和微小角度变化不易损坏或卡轴，且不影响正常功能。
- 耐海水腐蚀，寿命长，无需日常维护，无需附加润滑系统及冷却系统。
- 适用于各类舰船轴系隔舱双向水密封。
- Easy maintenance due to split structure.
- Reliability under big displacement caused by shock.
- Anti-corrosion, strong environmental adaptability, long life span.
- Applied for marine ship double-sided water seals.

#### 主要参数 Main Specifications

- 适用轴径：Φ100~Φ1000mm
- 适用转速：0~800rpm (随轴径配定)
- 适用水压：0~0.2MPa
- 水泄漏量：≤Φd×8/100L/h
- Shaft Diameter：Φ100~Φ1000mm
- Rotating Speed：0~800rpm (depend on the shaft diameter)
- Water Pressure：0~0.2MPa
- Water Leakage：≤Φd×8/100L/h

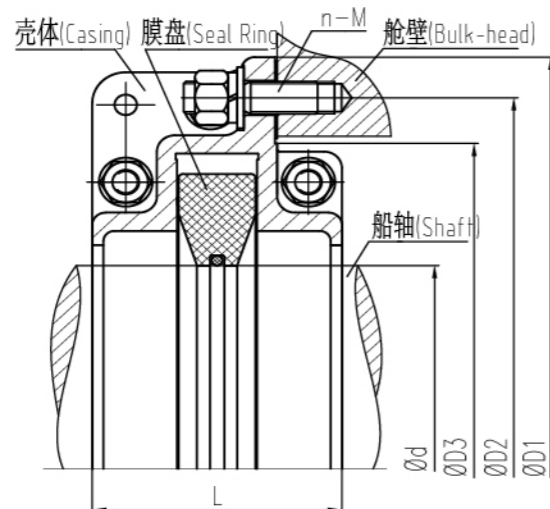
#### 选型原则 Model Selection Principle

- 根据安装轴密封装置处轴径（或轴套外径）和接口尺寸要求选择相应型号规格。
- 该系列产品需预留足够的维修操作空间。
- 轴径、接口等可根据用户要求进行设计。
- Selecting according to the installation of stern shaft sealing device diameter of shaft (or collar diameter) and interface size requirements.
- Setting aside enough maintenance operation space.
- Customized design can be done (shaft diameter, connecting interface, etc)

#### 适用标准 Applicable Standard

GJB4000-2000 GJB150.18-1986

#### 尺寸及参数 Dimensions & Parameters



型号 Model	尺寸参数 Dimensions (mm)						技术指标 Technical Specifications
	d	D1	D2	D3	L	n-M	水泄漏量 Water Leakage (L/h)
CWGM106	106						≤8.5
CWGM110	110	305	276	238			≤8.8
CWGM120	120				100	8-M12	≤10
CWGM130	130						≤10
CWGM140	140	350	325	300			≤10
CWGM150	150						≤10
CWGM160	160						≤13
CWGM170	170						≤14
CWGM175	175	405	365	320			≤14
CWGM180	180				112	8-M16	≤15
CWGM200	200						≤15
CWGM210	210						≤16.8
CWGM230	230	435	394	358			≤18.4
CWGM240	240						≤19.2
CWGM250b	250						≤20
CWGM260b	260	530	490	455	135	8-M16	≤19.2
CWGM270b	270						≤20.8
CWGM280b	280						≤22.4
CWGM290b	290	560	520	560	130		≤23.2
CWGM300b	300					12-M16	≤24
CWGM320b	320						≤25.6
CWGM330b	330	630	578	530			≤26.4
CWGM340b	340						≤26.4
CWGM350b	350						≤28
CWGM360b	360						≤28.8
CWGM370b	370						≤29.6
CWGM380b	380	670	620	582	150		≤30.4
CWGM395b	395						≤32.6
CWGM400b	400					12-M20	≤32
CWGM410b	410						≤32.8
CWGM420b	420	720	670	630			≤33.6
CWGM430b	430						≤32.6
CWGM450b	450						≤36
CWGM460b	460	740	692	648	152		≤37
CWGM500b	500						≤40
CWGM530b	530	890	840	774	186	16-M20	≤42
CWGM550b	550						≤44

注：表列参数为标准设计供参考，可按用户实际需求进行设计制造。  
Customized design can be done.