

# GGT08 Series



- ◆ All-metal multidirectional anti-vibration/shock mounts.
- ◆ Excellent reliability and long lifespan.
- ◆ High damping.
- ◆ Corrosion resistant.
- ◆ Wide temperature range:  $-180^{\circ}\text{C} \sim +300^{\circ}\text{C}$ .
- ◆ Great adaptability/versatility.
- ◆ Customized design can be done.

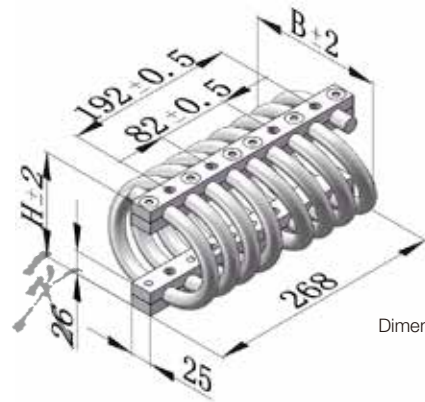
## Materials

Cable: Stainless steel.

Retainer bars: Aluminum alloy (Anodized or Alodine).

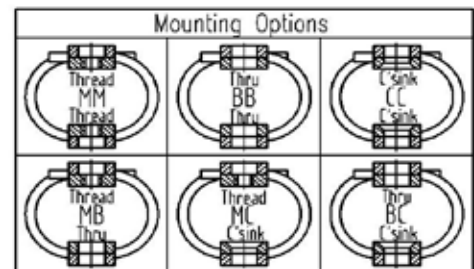
Other materials on request.

## Model Description



Dimensions are in mm.

Model	Height (mm)	Width (mm)	Weight (kg)
GGT16.0-90/103/8L	90	103	2.8
GGT16.0-99/112/8L	99	112	3.1
GGT16.0-109/135/8L	109	135	3.5
GGT16.0-119/152/8L	119	152	4.2
GGT16.0-127/165/8L	127	165	4.3
GGT16.0-135/180/8L	135	180	4.6
GGT16.0-177/194/8L	177	194	5.4

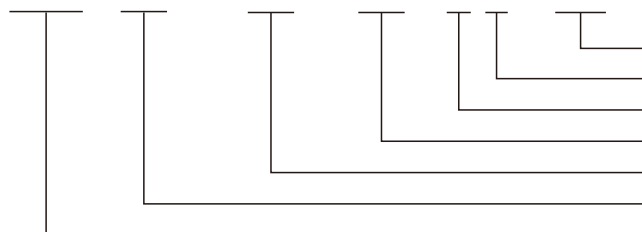


Mounting Holes	Bar 1		
	4xM10	4xφ11	4xφ11 φ21x90°
Bar 2	4xM10	MM	
	4xφ11	MB	BB
	4xφ11 φ21x90°	MC	BC CC

Note:  
Standard Mounting: MM

## Order Example

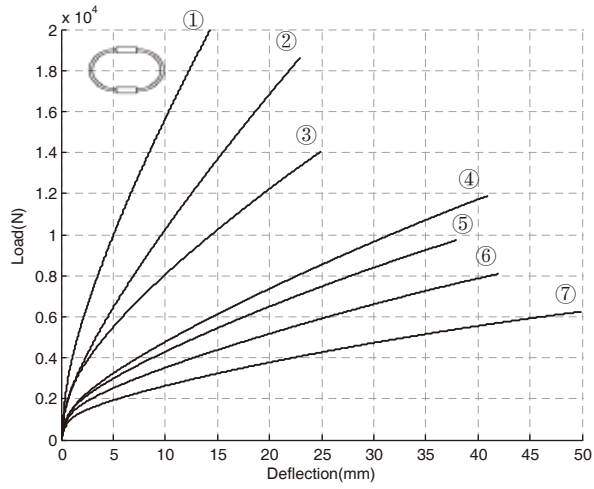
GGT 16.0 - 109 / 135 / 8 L / MB



- Mounting Option: MM is default option.
- Retainer Bars Material: Aluminum Alloy (Stainless Steel is available).
- Number of Cable Loops: 8
- Width: 135mm
- Height: 109mm
- Wire Rope Diameter: 16mm
- Group: GGT

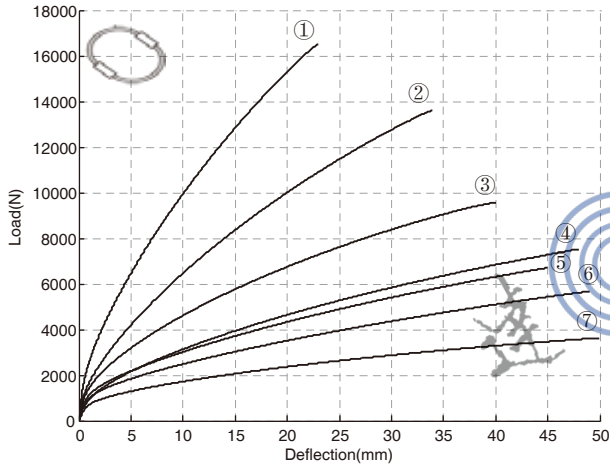
# Performances\*

## Compression



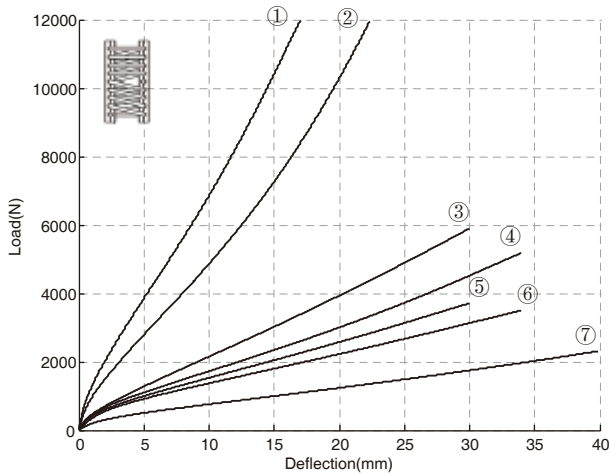
No.	Model	Rated Load at 10Hz(kg)	Static Stiffness (N/mm)	Max.Dyn Deflection (mm)	Max. Shock (kN)
		$M_z$	$K_z$	$\Delta S_z$	$P_z$
1	GGT16.0-90/103/8L	582	1645	30	27
2	GGT16.0-99/112/8L	373	1070	35	19
3	GGT16.0-109/135/8L	352	826	46	13
4	GGT16.0-119/152/8L	210	500	56	11
5	GGT16.0-127/165/8L	199	420	63	13
6	GGT16.0-135/180/8L	174	340	56	14
7	GGT16.0-177/194/8L	137	250	85	12

## 45° Compression



No.	Model	Rated Load at 10Hz(kg)	Static Stiffness (N/mm)	Max.Dyn Deflection (mm)	Max. Shock (kN)
		$M_{45}$	$K_{45}$	$\Delta S_{45}$	$P_{45}$
1	GGT16.0-90/103/8L	387	1000	41	13
2	GGT16.0-99/112/8L	245	690	53	11
3	GGT16.0-109/135/8L	203	495	65	7.6
4	GGT16.0-119/152/8L	135	340	73	5.6
5	GGT16.0-127/165/8L	149	280	82	7.6
6	GGT16.0-135/180/8L	130	243	85	6.8
7	GGT16.0-177/194/8L	91	168	95	5.7

## Shear



No.	Model	Rated Load at 10Hz(kg)	Static Stiffness (N/mm)	Max.Dyn Deflection (mm)	Max. Shock (kN)
		$M_x$	$K_x$	$\Delta S_x$	$P_x$
1	GGT16.0-90/103/8L	205	720	27	18
2	GGT16.0-99/112/8L	150	465	32	13
3	GGT16.0-109/135/8L	70	225	41	8.1
4	GGT16.0-119/152/8L	65	180	50	7
5	GGT16.0-127/165/8L	60	165	57	8.3
6	GGT16.0-135/180/8L	55	160	65	6.5
7	GGT16.0-177/194/8L	30	90	70	5.4

\* Performance characteristics given here are for reference only, please contact us for technical support.