

GGT10 Series



- ◆ All-metal multidirectional anti-vibration/shock mounts.
- ◆ Excellent reliability and long lifespan.
- ◆ High damping.
- ◆ Corrosion resistant.
- ◆ Wide temperature range: $-180^{\circ}\text{C} \sim +300^{\circ}\text{C}$.
- ◆ Great adaptability/versatility.
- ◆ Customized design can be done.

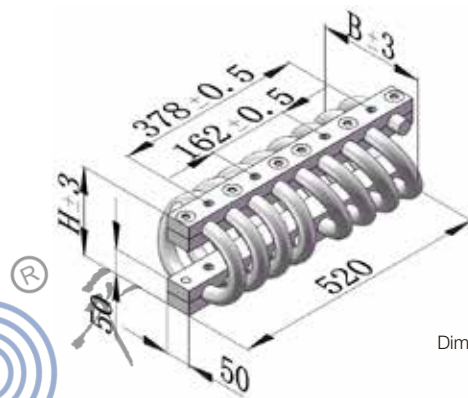
Materials

Cable: Stainless steel.

Retainer bars: Aluminum alloy (Anodized or Alodine).

Other materials on request.

Model Description



Dimensions are in mm.

Model	Height (mm)	Width (mm)	Weight (kg)
GGT28.5-178/216/8L	178	216	19
GGT28.5-216/241/8L	216	241	21
GGT28.5-235/260/8L	235	260	23

Mounting Options				
Mounting Holes	4xM16	4xφ17.5	4xφ17.5	4xφ17.5
Bar 1	MM	MB	BC	CC
Bar 2	4xφ17.5	4xφ17.5	φ32.4x90°	φ32.4x90°

Note: Standard Mounting: MM

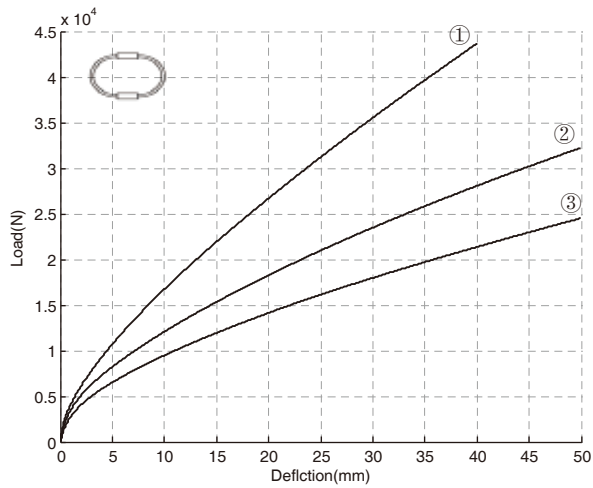
Order Example

GGT 28.5 - 178 / 216 / 8 L / MB

- Mounting Option: MM is default option.
- Retainer Bars Material: Aluminum Alloy (Stainless Steel is available).
- Number of Cable Loops: 8
- Width: 216mm
- Height: 178mm
- Wire Rope Diameter: 28.5mm
- Group: GGT

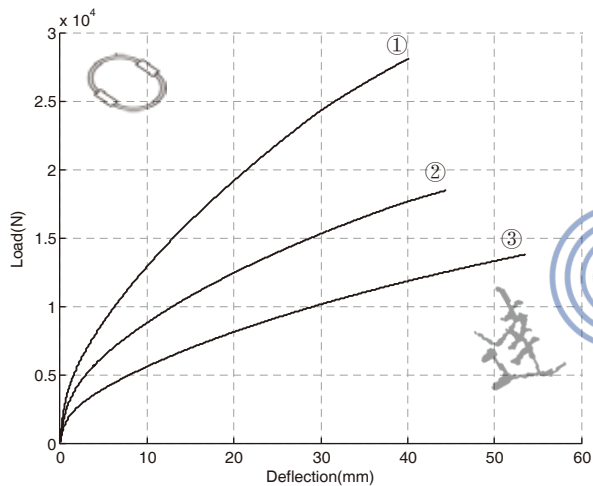
Performances*

Compression



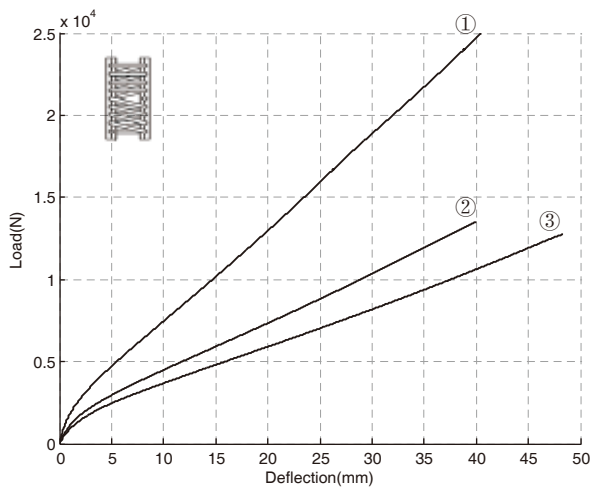
No.	Model	Rated Load at 10Hz(kg)	Static Stiffness (N/mm)	Max.Dyn Deflection (mm)	Max. Shock (kN)
		M_z	K_z	ΔS_z	P_z
1	GGT28.5-178/216/8L	612	1764	48	42
2	GGT28.5-216/241/8L	457	1240	57	35
3	GGT28.5-235/260/8L	401	1076	65	30

45° Compression



No.	Model	Rated Load at 10Hz(kg)	Static Stiffness (N/mm)	Max.Dyn Deflection (mm)	Max. Shock (kN)
		M_{45}	K_{45}	ΔS_{45}	P_{45}
1	GGT28.5-178/216/8L	562	1365	43	35
2	GGT28.5-216/241/8L	417	880	50	30
3	GGT28.5-235/260/8L	258	560	56	28

Shear



No.	Model	Rated Load at 10Hz(kg)	Static Stiffness (N/mm)	Max.Dyn Deflection (mm)	Max. Shock (kN)
		M_x	K_x	ΔS_x	P_x
1	GGT28.5-178/216/8L	275	784	45	30
2	GGT28.5-216/241/8L	173	522	55	27
3	GGT28.5-235/260/8L	141	420	60	25

* Performance characteristics given here are for reference only, please contact us for technical support.