

GGT11 Series



- ◆ All-metal multidirectional anti-vibration/shock mounts.
- ◆ Excellent reliability and long lifespan.
- ◆ High damping.
- ◆ Corrosion resistant.
- ◆ Wide temperature range: $-180^{\circ}\text{C} \sim +300^{\circ}\text{C}$.
- ◆ Great adaptability/versatility.
- ◆ Customized design can be done.

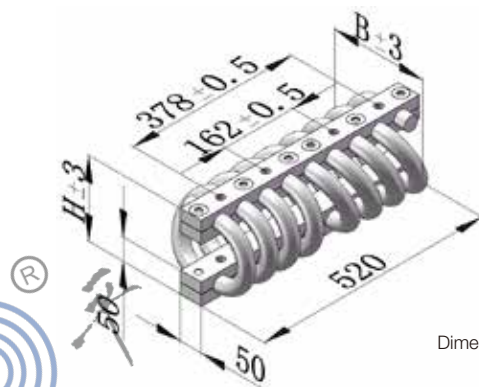
Materials

Cable: Stainless steel.

Retainer bars: Aluminum alloy (Anodized or Alodine).

Other materials on request.

Model Description



Dimensions are in mm.

Model	Height (mm)	Width (mm)	Weight (kg)
GGT31.8-178/210/8L	178	210	22
GGT31.8-216/248/8L	216	248	25
GGT31.8-235/270/8L	235	270	27

Mounting Options				
Mounting Holes	Bar 1	Bar 2		
	4xM16	4xφ17.5	4xφ17.5	φ32.4x90°
4xM16	MM			
4xφ17.5	MB	BB		
4xφ17.5	MC	BC	CC	

Note: Standard Mounting: MM

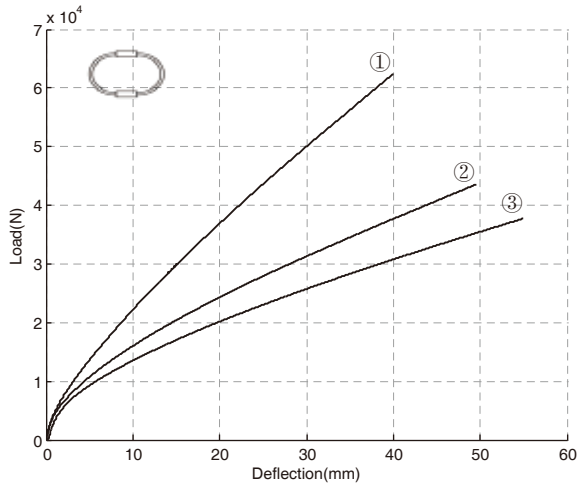
Order Example

GGT 31.8 - 178 / 210 / 8 L / MB

- Mounting Option: MM is default option.
- Retainer Bars Material: Aluminum Alloy (Stainless Steel is available).
- Number of Cable Loops: 8
- Width: 210mm
- Height: 178mm
- Wire Rope Diameter: 31.8mm
- Group: GGT

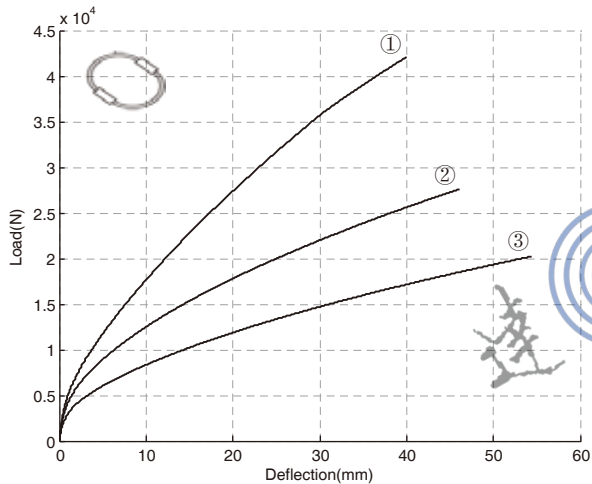
Performances*

Compression



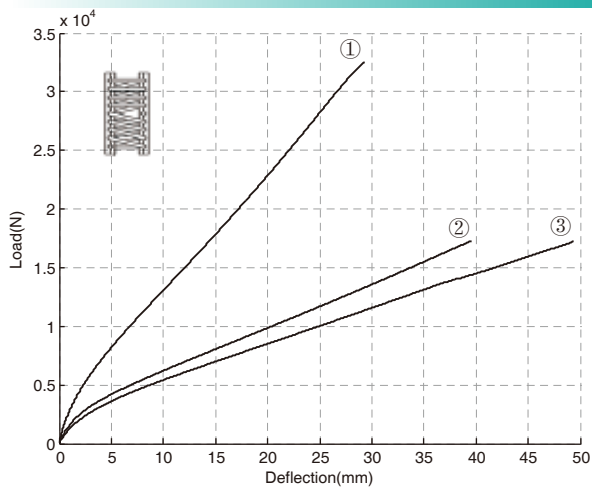
No.	Model	Rated Load at 10Hz(kg)	Static Stiffness (N/mm)	Max.Dyn Deflection (mm)	Max. Shock (kN)
		M_z	K_z	ΔS_z	P_z
1	GGT31.8-178/210/8L	742	2420	44	42
2	GGT31.8-216/248/8L	638	1849	55	35
3	GGT31.8-235/270/8L	551	1610	68	30

45° Compression



No.	Model	Rated Load at 10Hz(kg)	Static Stiffness (N/mm)	Max.Dyn Deflection (mm)	Max. Shock (kN)
		M_{45}	K_{45}	ΔS_{45}	P_{45}
1	GGT31.8-178/210/8L	721	1870	40	40
2	GGT31.8-216/248/8L	583	1320	50	44
3	GGT31.8-235/270/8L	410	865	62	52

Shear



No.	Model	Rated Load at 10Hz(kg)	Static Stiffness (N/mm)	Max.Dyn Deflection (mm)	Max. Shock (kN)
		M_x	K_x	ΔS_x	P_x
1	GGT31.8-178/210/8L	455	1479	43	45
2	GGT31.8-216/248/8L	248	764	54	40
3	GGT31.8-235/270/8L	201	680	65	35

* Performance characteristics given here are for reference only, please contact us for technical support.