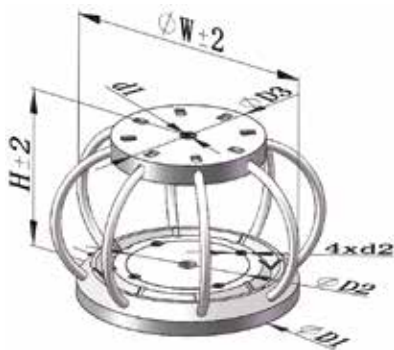


# GGQ03 Series

- ◆ All-metal multidirectional anti-vibration/shock mounts.
- ◆ Excellent reliability and long lifespan.
- ◆ High damping.
- ◆ Corrosion resistant.
- ◆ Wide temperature range: -180°C ~ +300°C.
- ◆ Great adaptability/versatility.
- ◆ Customized design can be done.



## Model Description



Dimensions are in mm.

## Order Example

GGQ 29-71 L

Retainer Bars Material: Aluminum Alloy  
(Stainless Steel is available).  
Isolator Height: 71mm  
Isolator (Z direction) Energy: 29J  
Group: GGQ

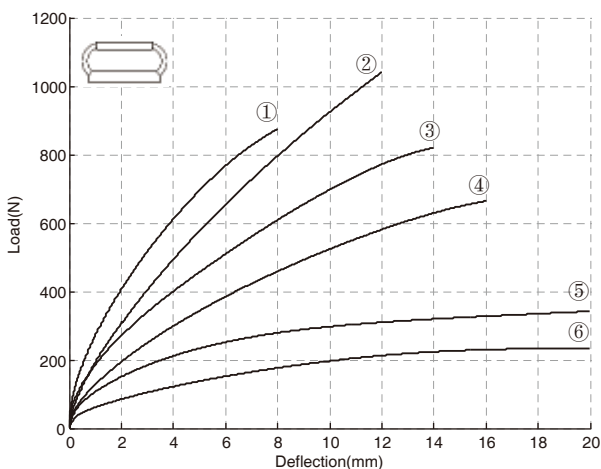
## Materials

Cable: Stainless Steel  
Retainer Bars: Aluminum Alloy  
Other materials on request.

Model	ΦD1 (mm)	ΦD2 (mm)	ΦD3 (mm)	ΦW (mm)	H (mm)	d1	d2	Weight (kg)
GGQ25-62L	102	60	64	124	62	M8	M6	0.91
GGQ17-45L			76	110	45			0.75
GGQ29-71L			62	120	71			0.82
GGQ23-76L			52	120	76			0.91
GGQ15-62L			64	113	62			0.67
GGQ14-77L			52	121	77			0.63

## Performances\*

### Compression



No.	Model	Rated Load at 10Hz (kg)	Static Stiffness (N/mm)	Max. Dyn Deflection (mm)	Max. Shock (kN)
		M <sub>z</sub>	K <sub>z</sub>	ΔS <sub>z</sub>	P <sub>z</sub>
1	GGQ25-62L	41	119	45	1.8
2	GGQ17-45L	31	25	31	1.55
3	GGQ29-71L	27	72	54	1.1
4	GGQ23-76L	19	60	59	0.85
5	GGQ15-62L	13	39	48	0.7
6	GGQ14-77L	7	25	63	0.46

\* Performance characteristics given here are for reference only, please contact us for technical support.